



# FIAT 126p



**Printed in EU**



MIX  
Paper from  
responsible sources  
FSC® C111430



„FIAT“ is a trademark  
of and licensed  
by the FCA Group Companies.

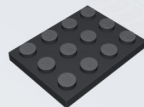
**CONFORMS TO THE SAFETY  
REQUIREMENTS OF EN 71.**

71

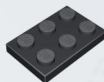


**YOUNGTIMER  
collection**

1



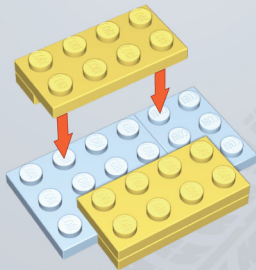
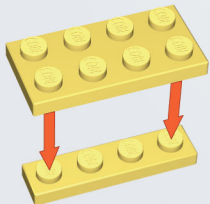
x1



x1

2

x2

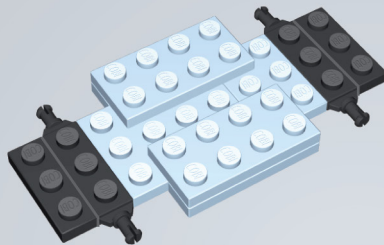


x2

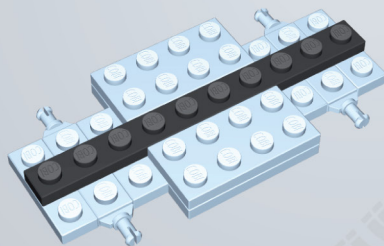


x2

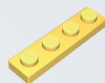
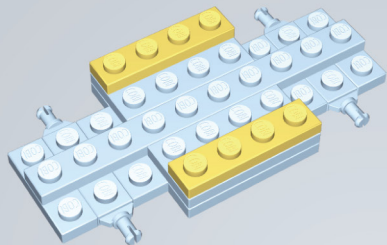
3



4

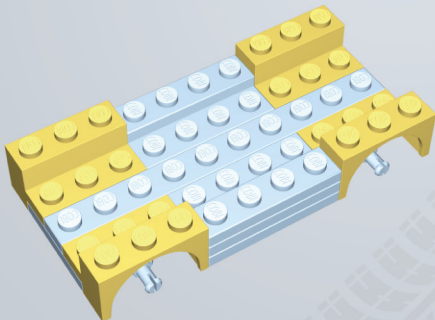


5



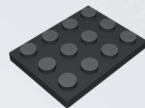
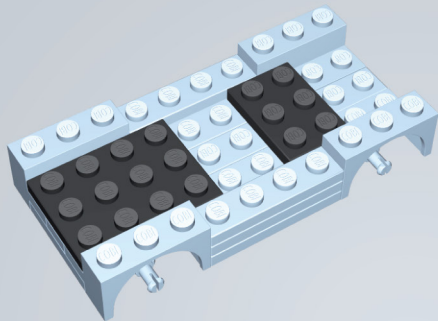
x2

6

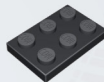


x4

7

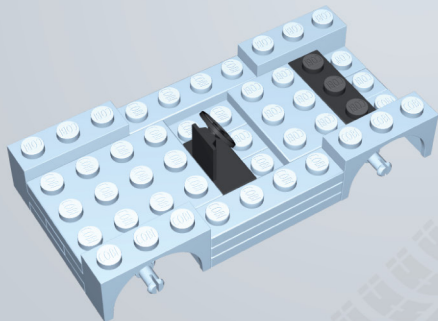


x1



x1

8

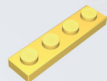
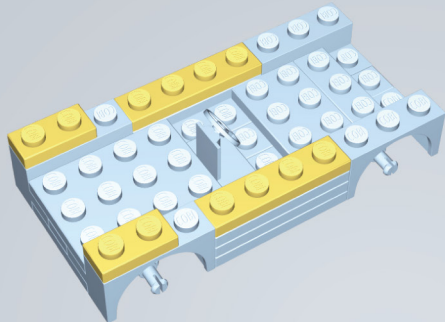


x1



x1

9

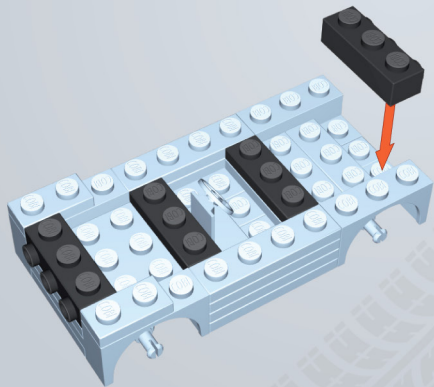


x2



x2

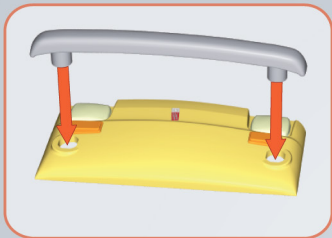
10



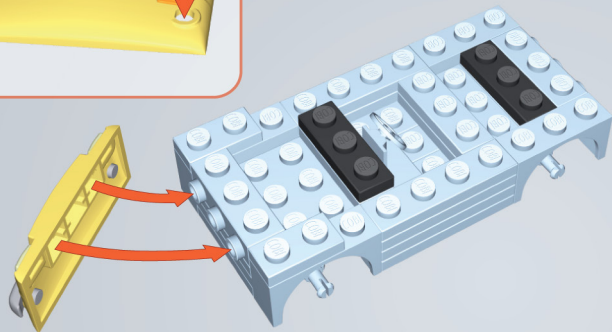
x2



x2



11



x1

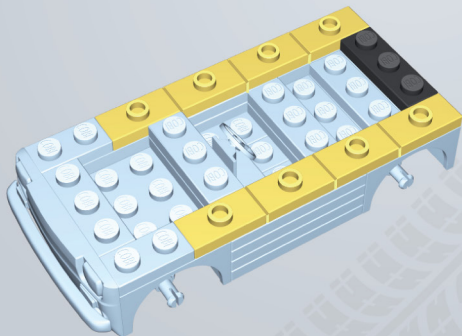


x1



x2

12

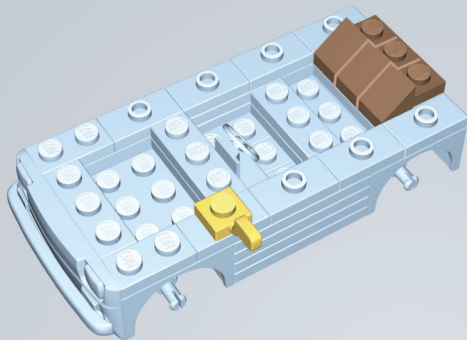


x8



x1

**13**

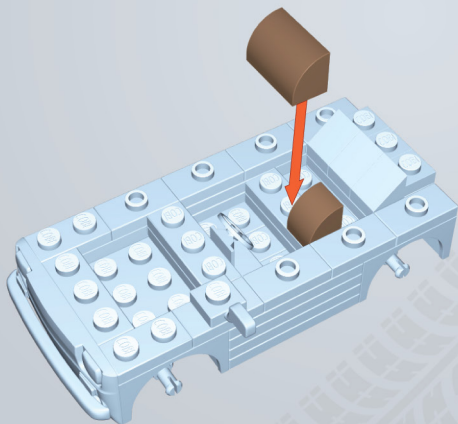


**x3**



**x1**

**14**



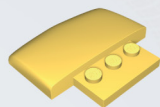
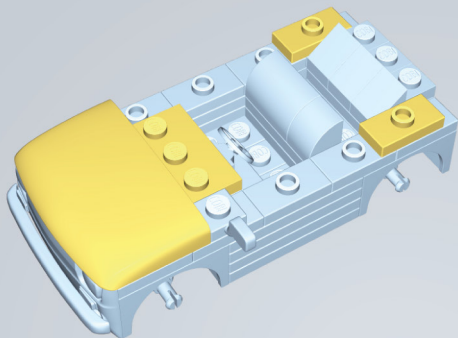
**x1**



**x1**



15

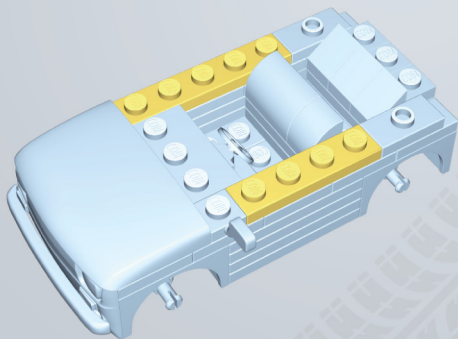


x1



x2

16

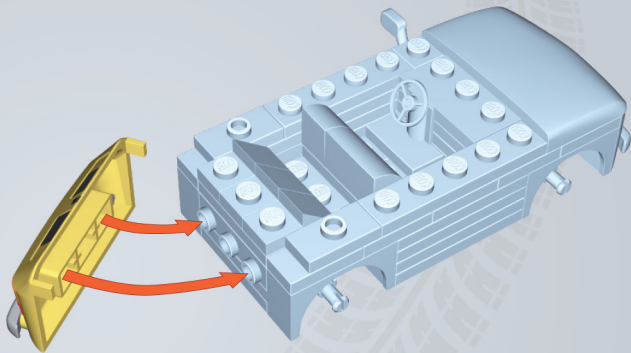


x1



x1

17

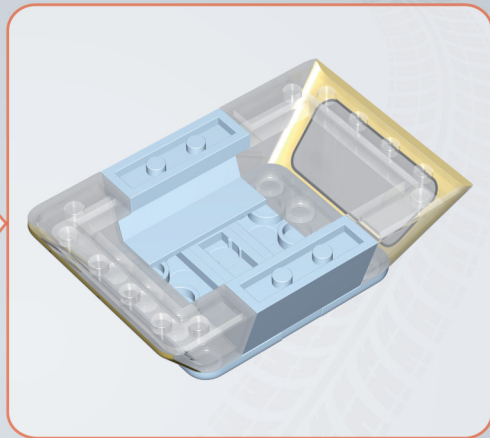
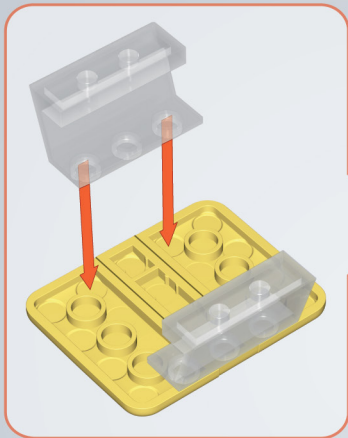


x1



x1

18



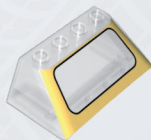
x2



x1



x2

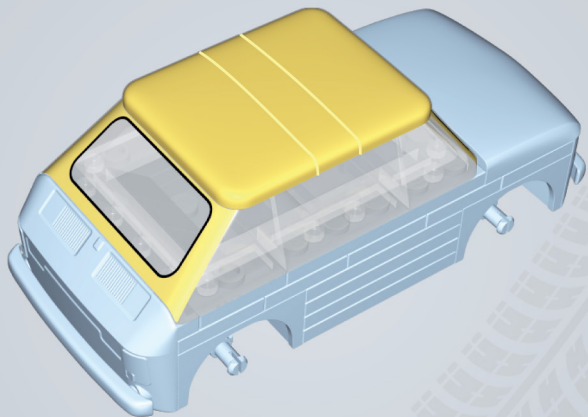


x1

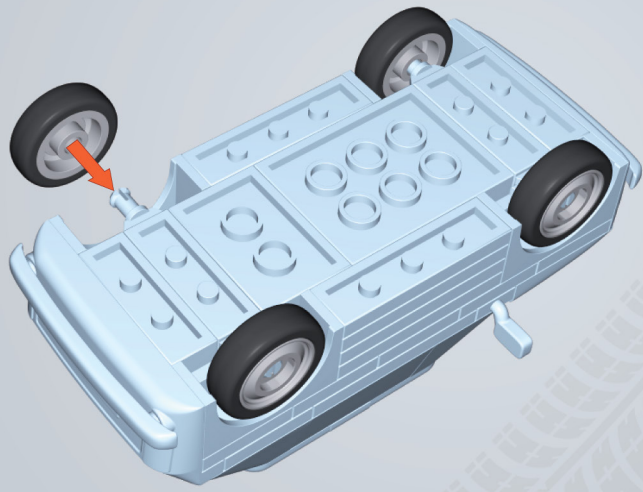


x1

19



20





*Warszawa*

**M20**

**24550**



glow in the dark



**FSO 125p**

**TAXI**

**24547**



*Lyrna*

**R20**

**24538**



*Wartburg* **353**

**24542**

**YOUNGTIMER**  
collection





*Trabant*  
**601**

24539



*Lyrera 104*

24537



*Trabant 601*

Polizei

24541



*Wartburg 353*

tourist

24543

**YOUNGTIMER**  
collection



**POLONEZ 1,6**  
*Czwa*  
24536



**POLONEZ**  
Truck  
24535

  
**YOUNGTIMER**  
collection



**POLONEZ 1,6**  
*Ata*  
24534

For  
news and  
special deals



Find us on

 [facebook.com/cobi.zabawki](https://facebook.com/cobi.zabawki)  
 [facebook.com/CobiToysUSA](https://facebook.com/CobiToysUSA)



[www.instagram.com/cobi.toys/](https://www.instagram.com/cobi.toys/)

[WWW.COBI.EU](http://WWW.COBI.EU)

06-24530-70